



LET'S BUILD A BETTER PLACE

PATIO DOOR SYSTEMS

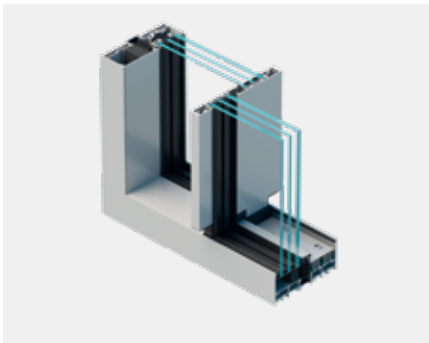
Secure, Easy to Operate and Aesthetic Solutions

Sliding doors offer a perfect solution for connecting the interiors of your homes or conservatories with the balconies, terraces or gardens outside. Silently gliding large glass panes provide you with an unobstructed view and let you enjoy the beautiful outside weather inside your living space. Moreover, sliding doors offer a great space-saving solution without occupying areas beyond the internal or external boundaries of the frame.

PATIO DOOR SYSTEMS

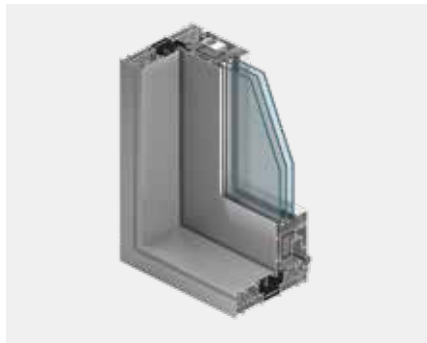
ALUPROF range of sliding doors offers a variety of solutions for your needs. In addition to our classic doors with clearly visible, sturdy aluminium profiles, you can choose completely concealed or very slender profiles to frame your view exquisitely. Corner structures with movable mullions can be produced with **ALUPROF** systems, as can doors that disappear into the wall. Large frames and heavy glass panes with smoothly sliding mechanisms allow the construction of impressive openings for panoramic views. All our products and systems designed to avoid heat transfers with double or triple glazing solutions to provide the best heat and sound insulation.

EXPLORE OUR SOLUTIONS!



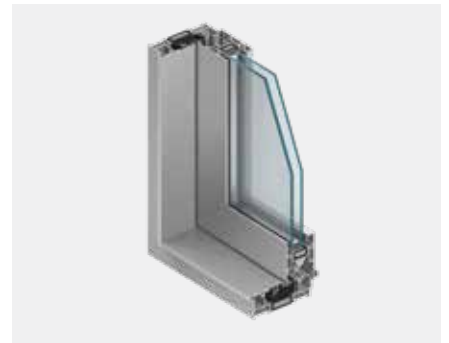
MB-SKYLINE SLIDING DOOR

Panoramic Skyline – sliding door with wow effect built in – 71 mm



MB-77HS / MB-59S LIFT & SLIDE

best performing Lift and Slide door with endless design options – 77 mm / 59 mm



MB-59 SLIDING DOOR

standing out sliding door, designed to fit every house and budget – 59 mm



excellent weather tightness



best heat efficiency



top security



latest design aesthetics



smooth and easy operation



durable, easy to install and maintenance free



ready design and installation details for architects



innovative materials and solutions



proven in most advanced and challenging projects